

A photograph of a theater interior with rows of plush red seats. The seats are arranged in a perspective that leads towards a stage area in the background. The lighting is dim, with several circular spotlights visible on the ceiling, creating a bokeh effect. In the foreground, the back of a red seat is prominently featured, with the number '23' embroidered in gold thread on its upper backrest. A solid red rectangular bar is positioned on the left side of the image, partially overlapping the text.

PRODUCT SHEET

CHAIRS

70 Series

Amphitheater Chair

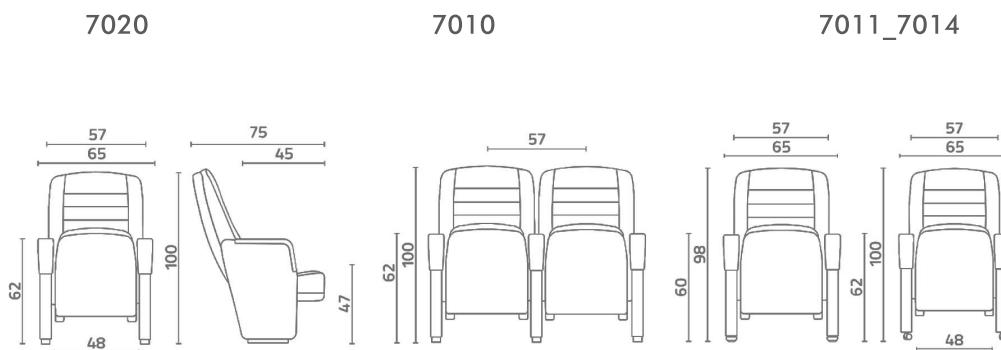
A new modern cinema chair with the comfortable seat with the comfortable seat.

Product Overview

- Shaped to support the natural posture of the body, reducing fatigue during long events.
- Made from durable, easy-to-clean fabrics or vinyl that withstands wear and tear.
- Optimized to maximize seating capacity without sacrificing comfort.
- Retains its shape over time while providing softness.



Technical Dimension



www.heram.ae

Office: +9821 2275 01 05
Iran M: +98990 495 0912
Email: info@heram.net

First Floor, No.9, Mohanna Building,
Mohanna1 St., Dr-Shariati Ave.,
District 1, TEHRAN, IRAN

Scan For Contact

